

A photograph of a black fireplace set into a red brick wall. The fireplace is lit, showing a bright orange and blue flame. Above the fireplace is a silver, oval-shaped logo with the word "esse" in a stylized, lowercase font. To the right of the fireplace, a tall, green bamboo plant is in a light-colored, square planter. The floor is dark grey. The overall scene is a modern, minimalist interior.

esse

Choose firewall[®]

Warmth, light and movement

Choose style

Firewall® is the slim profile, wall mounted flueless gas fire. Firewall® incorporates flueless technology which gives you the freedom to 'hang' the fire where it suits you without the restrictions of flues or chimneys.

The burner creates a flame pattern across the width of the fire window over a bed of glowing embers. **The burner is exclusive to ESSE.** Every ESSE burner is made in England and tested before it leaves the factory.

Firewall® is available for both natural gas and propane, with remote control options and a choice of sizes.

ESSE Firewall® is recommended as a secondary heat source. An air vent is required for all flueless gas appliances.

Choose material

Firewall® is available with a choice of designer frames. When we launched Firewall® it was only available in steel.

This season Firewall is available in a choice of frames:

Anthracite (exclusive 39" portrait)

Black Glass (39", 41" & 48")

White Glass (39", 41" & 48")

LineStone (50" & 60")

Smooth stone form (39")

Fissure (60")

Optica (50")



Choose size

Firewall® is available in a choice of five sizes – 39" portrait, 41" widescreen and 48" extra widescreen plus 50" and 60" widescreen versions in stone. Firewalls are measured corner to corner in inches just like a television.



Choose efficiency

With Firewall® 100% of the heat comes into the room. No heat is lost up a flue or chimney as would be the case with a decorative fire with a flue. The result is lower gas use and lower running costs.

Firewall® has a single layer of ceramic glass covering the firebox, this allows radiant heat to pass directly through into the room. Heat also rises from the top of the fire to warm the whole room through convection. The appliance must be in a room with an openable window and built in ventilation of 100cm².

Choose heritage

Masters of heating efficiency since 1854

Every ESSE fire can trace its ancestry all the way back to 1854 when James Smith made the first ESSE stove. Now, as then, they represent the very best in design and capability. The knowledge acquired over 150 years is used daily and it is our ongoing quest to develop new products.

Born and bred in the Dales

Our Firewall® factory on the edge of the Yorkshire Dales is steeped in heating history and it is where every Firewall® is born and every burner tested before it leaves us.

ESSE heating appliances are warming homes all over the world, from Alaska to New Zealand, they have also provided reliable warmth to adventurers in the frozen wastes of the Antarctic and Himalayas.



LineStone

LineStone offers a smooth limestone like finish with line pattern. It is available with either a 50" or 60" frame.

Main picture and below: LineStone 60"
Bottom: LineStone 50"





Optica and Fissure

Optica and Fissure are smooth stone form landscape Firewall® models. A 39" portrait model completes the collection.

Main picture: 50" Optica

Below: 39" Smooth Stone Form

Bottom: 60" Fissure





Black or White Glass

Simple, clean and stylish Black or White Glass Firewall® available in 39", 41" and 48" sizes.

Main picture: 41" Black

Below: 39" Black

Bottom: 48" White



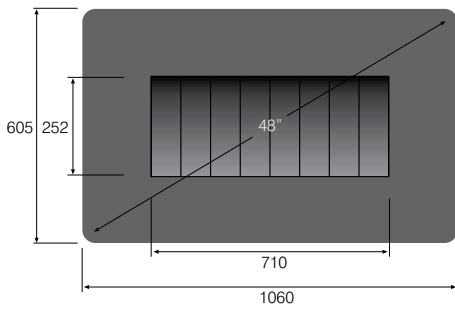


Black or White Glass (continued)

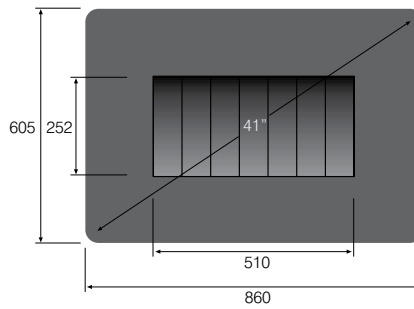


Dimensions and specifications

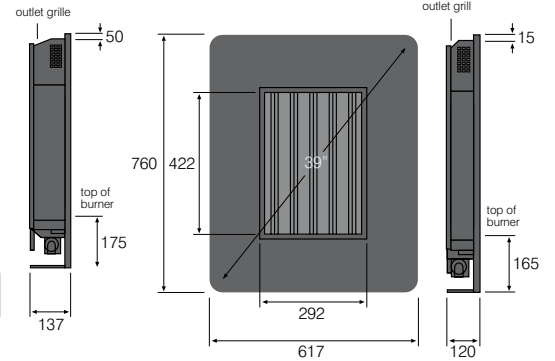
48" Extra Widescreen Firewall®



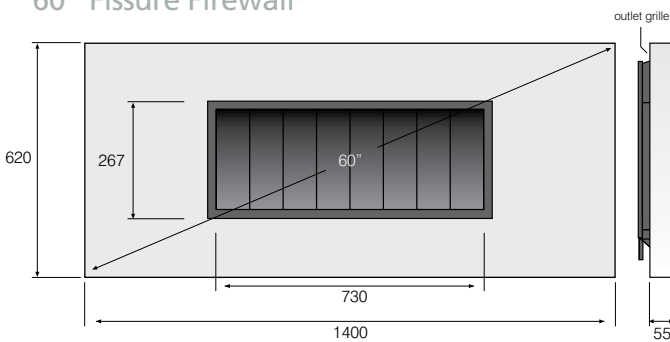
41" Widescreen Firewall®



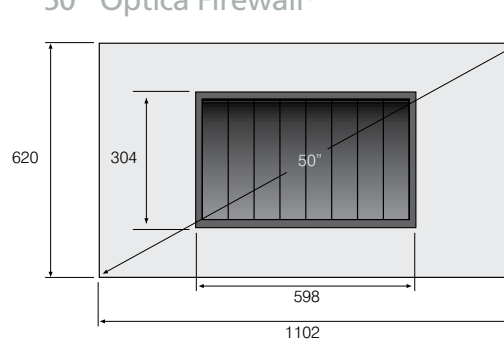
39" Original Firewall®



60" Fissure Firewall®



50" Optica Firewall®



- Designed to perform - 100% of the heat produced comes into the room
- Flueless flexibility - you are not restricted by the position of a chimney or flue
- Environmentally friendly - no energy wasted
- Tried and tested - millions of flueless gas appliances safely installed since 1980
- Remote Control - turn up and down at the touch of a button (41", 48", 50" & 60" models)
- Installation - must be fitted by a Gas Safe registered installer
- Ventilation and room size guidelines - room size min 30m³ for 39", 41" & 50" or 40m² for 48" & 60" All appliances must be in a room with an openable window and built-in ventilation of at least 100cm²
- Not suitable for installation in bedrooms, bathrooms or under televisions
- CE marked - all ESSE gas appliances are CE marked

| | 48" extra widescreen | 41" widescreen | 39" original | 60" Fissure | 50" Optica |
|--------------------------|----------------------|----------------|--------------|-------------|------------|
| Gas – natural or propane | ● | ● | ● | ● | ● |
| Auto safety shut off | ● | ● | ● | ● | ● |
| Fuel effect | Embers | Embers | Embers | Embers | Embers |
| Additional room vent | ● | ● | ● | ● | ● |
| Heat output max / min kW | 3.5/2.3 | 2.6/1.7 | 2.4/1.1 | 3.5/2.3 | 2.6/1.7 |
| Flueless with CAT | ● | ● | ● | ● | ● |

All ESSE gas appliances are available in natural gas and in propane.

Clearances for Firewall® Minimum clearances (mm)

| SURFACE | COMBUSTIBLE | NON COMBUSTIBLE |
|-------------------------------------|-------------|-----------------|
| Top (from outlet grille to ceiling) | 1067 | 300 |
| Bottom | 90 | 90 |
| Sides (both) | 100 | 100 |
| Back (wall surface) | 0 | 0 |

Firewall® gas fires are intended as secondary heat sources and another source of background heating is necessary.

Anthracite

Steel frame with anthracite paint colour finish in 39" portrait frame.



Every ESSE firewall® is made in Britain.
Every gas burner is tested before it leaves the factory.

ESSE Engineering Limited, Long Ing, Barnoldswick, Lancashire BB18 6BN
Tel: 01282 813235 Fax: 01282 816876 Email: enquiries@esse.com Website: www.esse.com

WE ARE CONSTANTLY DEVELOPING AND IMPROVING OUR PRODUCTS. WE RESERVE THE RIGHT TO ALTER SPECIFICATIONS WITHOUT PRIOR NOTICE.



BROCHURE PRINTED IN LANCASHIRE, ENGLAND