

# HS Gas



Warmth of Life



hunterstoves  
GROUP



## HS-Gas stoves

All round good looks are essentially the trade mark of the stoves within the HS Gas range, and the gas-fired stoves are no exception to this.

With stoves suitable for traditional and contemporary situations the HS Gas Stoves are both attractive and versatile. Take time to enjoy the beautiful flickering flames with their very natural flame picture; both the coal and log fuel-beds are exceptionally realistic.

As well as offering incredible realism, the HS Gas Stoves also offer peace of mind by being safe and reliable to use. Add to this their notable efficiencies, which range from 73% to 78%, the overall benefits of having a HS gas-fired stove are tangible as well as practical.



NB. All images in this catalogue are for illustrative purposes only.

## Contents



Herald 6 Gas	Page 2
Herald 6 Inglenook Gas	Page 3
Hawk 4 Gas	Page 4
Select 6 Gas	Page 5
Selene 6 D Gas	Page 6
Verona 6	Page 7

Technical	Page 8 - 9
-----------	------------

# Herald 6 Gas



Flat Top, coal fuel bed with contemporary Single Door

The Herald 6 Gas stove capitalises on the award winning styling of the Hunter Herald multi-fuel range. Creative designing offers traditional good looks; this is now combined with the most recent gas-stove technology.

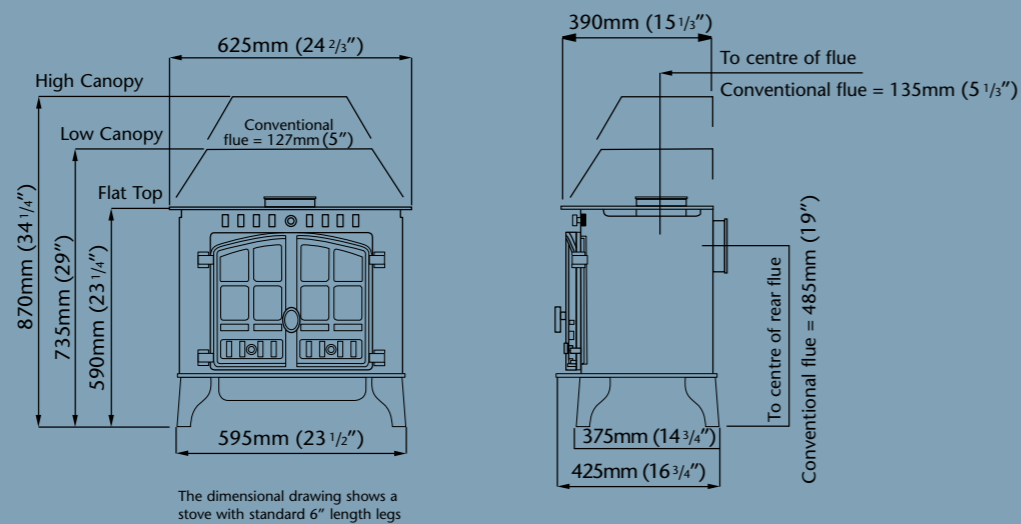
The Herald 6 Gas is one of the few stoves on the market that can operate with the doors open, when the double door option is chosen. With nothing to obstruct the view through the glass, this stove looks even more realistic.

## Heat Inputs/Outputs

Conventional Flue  
Max Heat Input = **6.5kW**  
Max Heat Output = **4.8kW**

## Efficiency

**73 – 77%**



The dimensional drawing shows a stove with standard 6" length legs

# Herald 6 Inglenook Gas



Inglenook with log fuel bed, traditional crossed doors and 7 1/2" legs as standard

Specifically designed for an inglenook or a larger fireplace, is the Herald 6 Gas Inglenook stove. Offering traditional good looks, the Herald 6 Gas Inglenook is a unique addition to the Hunter range of gas-fired stoves. Both the sweeping curve of the specially designed canopy and the realism of the flickering yellow flames,

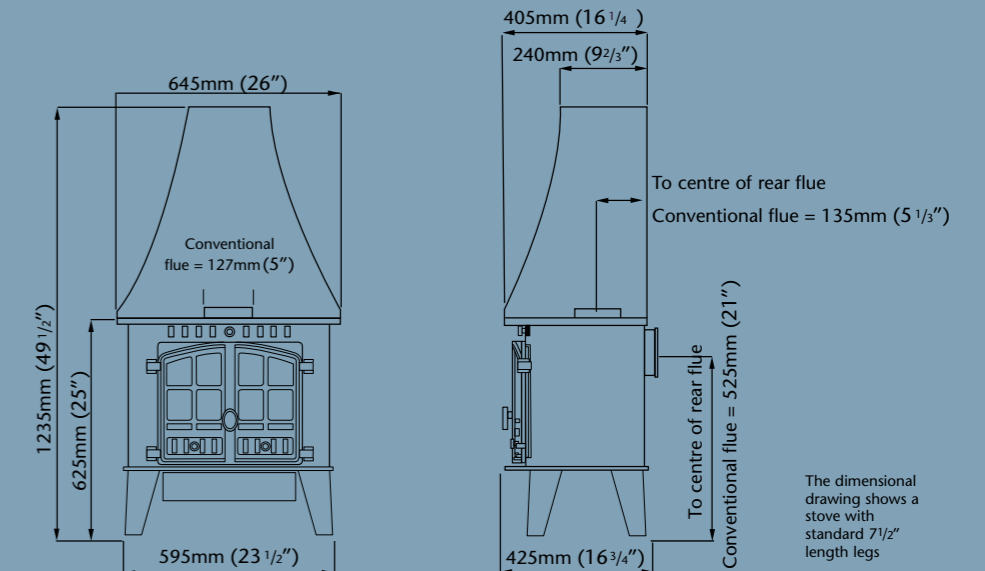
draw the eye to what is a very specific but appealing centrepiece for a favourite room. The Herald 6 inglenook Gas can operate with the doors open. With nothing to obstruct the view through the glass, this stove looks even more realistic.

## Heat Inputs/Outputs

Conventional Flue  
Max Heat Input = **6.5kW**  
Max Heat Output = **4.8kW**

## Efficiency

**73 – 77%**



The dimensional drawing shows a stove with standard 7 1/2" length legs



Traditional crossed doors, coal fuel bed, optional longer legs and high canopy



Low canopy with crossed doors, and coal fuel bed

## Standard Options

Heat output - conventional flue 4.8kW	
Flat top	✓
Double crossed doors	✓
Random coal effect	✓
Manual control	✓



Inglenook, Flat top with coal fuel bed and contemporary single door



Inglenook with optional Inglenook canopy, coal fuel bed and contemporary single door

## Standard Options

Heat output - conventional flue 4.8kW	
Flat top	✓
Double crossed doors	✓
Random coal effect	✓
Manual control	✓

# Hawk 4 Gas



Flat top with log fuel bed and contemporary 'D' door option

The compact Hawk 4 Gas stove is a small stove with a big heart.

Its size allows installation in a smaller fireplace, yet the Hawk 4 Gas can still offer a good heat output.

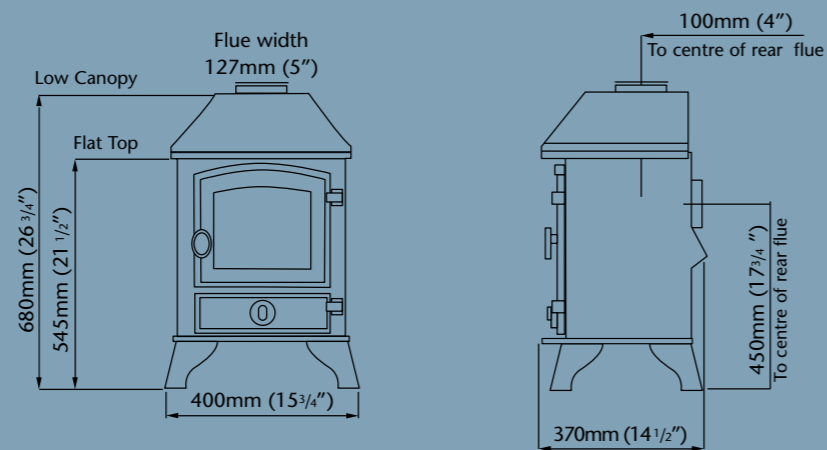
Select the door style to reflect the room decor. Choose from traditional or the contemporary 'D' door.

## Heat Inputs/Outputs

Conventional Flue  
Max Heat Input = 4.7kW  
Max Heat Output = 3.7kW

## Efficiency

75 – 78%



The dimensional drawing shows a stove with standard 5" length legs

# Select 6 Gas



Flat Top with plain double doors and log fuel bed

The Select 6 stove is a high quality, gas-fired stove.

Winning the Freestanding Gas Stove and Appliance of the Year at the Hearth & Home Exhibition, the Select 6 is an excellent quality stove.

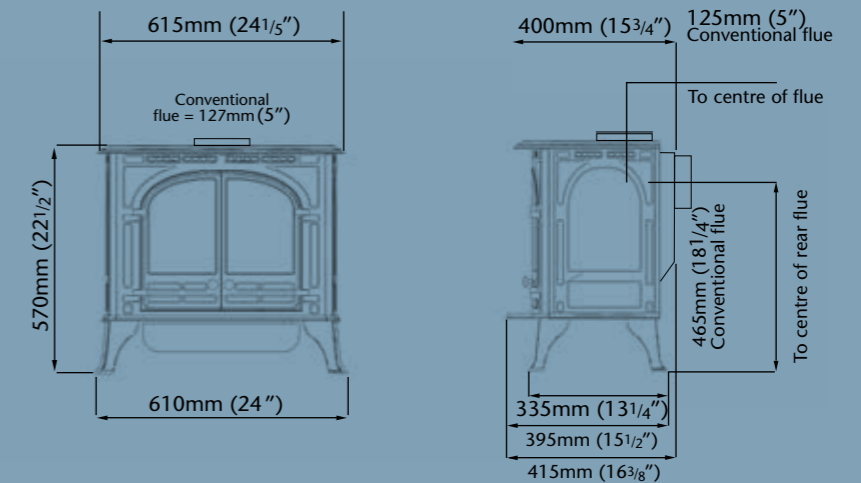
The Select 6 is one of the few stoves on the market that can operate with the doors open, with nothing to obstruct the view through the glass; this stove looks even more realistic.

## Heat Inputs/Outputs

Conventional Flue  
Max Heat Input = 6.5kW  
Max Heat Output = 4.8kW

## Efficiency

73 – 77%



Low Canopy with log fuel bed and contemporary 'D' door option.



Flat Top with log fuel bed and traditional door option.

## Standard Options

Heat output - conventional flue 3.7kW	
Flat top	✓
Single door	✓
Realistic log effect	✓
Manual control	✓



Flat top with plain doors and log fuel bed



Flat Top with Gothic Cross Doors and coal fuel bed

## Standard Options

Heat output - conventional flue 4.8kW	
Flat top	✓
Double plain door	✓
Random coal effect	✓
Manual control	✓

# Selene 6D Gas



Flat Top with Plain Double Doors and log fuel bed.



Gothic Arch Door option

Manufactured from high quality steel, the Selene 6D gas stove adds a new dimension to the gas-fired range from Hunter Stoves. The clever and simple design of the Selene 6D makes it an extremely versatile stove with numerous styling options.

Not only can the Selene offer the traditional good-looks of a Gothic door option, but also a contemporary plain door option. Two very pleasing extremes from one stove design. The Selene 6D Gas can operate with the doors open. With nothing to obstruct the view through the glass, this stove looks even more realistic.

# Verona 6 Gas



Verona 6 with log fuel bed

For a more contemporary gas stove consider the Verona 6. The sleek styling of the Verona stove would complement the most modern of settings.

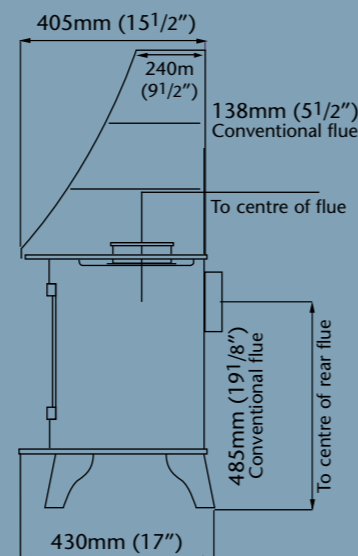
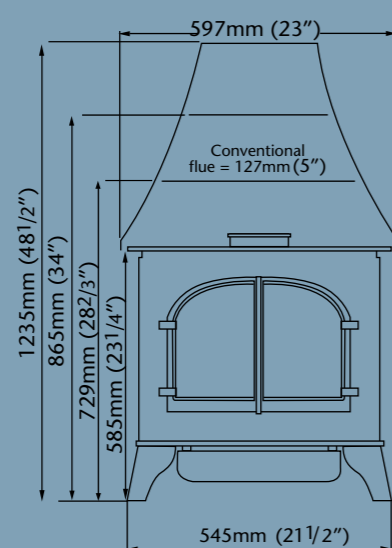
Available in matt black finish, the simplicity of the Verona 6 adds another dimension to the Hunter range of gas-fired stoves.

## Heat Inputs/Outputs

Conventional Flue  
Max Heat Input = **6.5kW**  
Max Heat Output = **4.8kW**

## Efficiency

**73 – 77%**



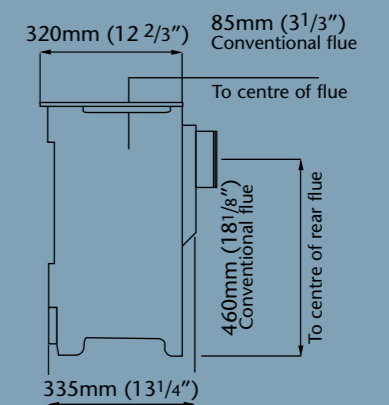
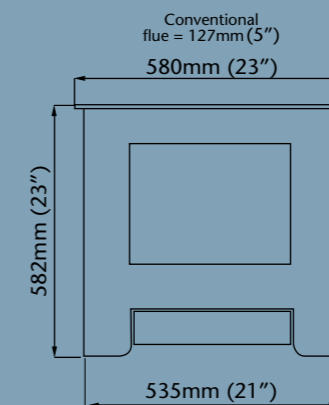
The dimensional drawing shows a stove with standard 6" length legs

## Heat Inputs/Outputs

Conventional Flue  
Max Heat Input = **6.5kW**  
Max Heat Output = **4.8kW**

## Efficiency

**73 – 77%**



Low Canopy with Plain Double Doors and log fuel bed.



High Canopy with Plain Double Doors and coal fuel bed.

## Standard Options

Heat output - conventional flue 4.8kW	
Flat top	✓
Double plain door	✓
Random coal effect	✓
Manual control	✓



Verona 6 with coal fuel bed

## Standard Options

Heat output - conventional flue 4.8kW	
Flat top	✓
Random coal effect	✓
Manual control	✓

# Technical Specification

## Gas Type

HS Gas Stoves for conventional installations are suitable for both Natural Gas and LPG. (NB. Hawk 4 is only available for Natural Gas).

## Heat Outputs

For maximum heat outputs see the technical key on the following page.

## Installation

All of the HS Gas stoves are suitable for installation to a standard solid fuel Class 1 flue and a Class 2 flue.

Depending on the situation, the stoves may be either rear flued or flued from the top of the stove.

## Fuel Type

HS Gas stoves offer an exceptionally realistic fuel bed, either a random coal or log effect. Whilst the stove remains in situ, a change can be made from coal to logs or vice versa should you desire. (See note \*)

NB. The Hawk 4 is only available with the realistic log effect.

## Safety Features

For that extra peace of mind, each stove features an oxy pilot to safely monitor the oxygen level in the room; should this fall below an acceptable level the stove turns itself off. Likewise with the flame failure device, this safely cuts off the gas supply should the flame be extinguished

## Control

All the HS Gas stoves are supplied with a top quality manual control as standard. However, for added convenience, a hand-held full remote control is available as an optional extra on all the stoves except the Hawk. The remote control handset can switch the stove on from a permanent pilot, off, and adjust the flame picture. Should the need arise a manual override ensures continued operation of the stove.

## Choices, choices

There are many options for styling within the HS Gas range to allow you to get your stove just the way you want it.



Please see each individual product range for the specific door, canopy and fuel options available or refer to the technical key on the following page.

\* Fuel effect can only be changed by a registered engineer

# Technical Key

	Herald 6 Gas	Herald 6 Inglenook Gas	Hawk 4 Gas	Select 6 Gas	Selene 6 D Gas	Verona 6
output nominal /max Kw	Conventional flue 4.8kW	Conventional flue 4.8kW	Conventional flue 3.7kW	Conventional flue 4.8kW	Conventional flue 4.8kW	Conventional flue 4.8kW
Natural gas	•	•	•	•	•	•
LPG	•	•	~	•	•	•
Flat top option	✓	✓	✓	✓	✓	✓
Low canopy option	•	•	•	~	•	~
High canopy option	•	•	~	~	•	~
Inglenook canopy	•	•	~	~	•	~
Single door option	•	•	✓	~	~	~
Double door option	✓	✓	~	✓	✓	~
Double crossed doors option	✓	✓	~	~	~	~
Gothic arch doors	~	~	~	•	•	~
Gothic cross doors	~	~	~	•	•	~
Brass door knobs set	•	•	•	•	•	~
Random coal	✓	✓	~	✓	✓	✓
Realistic log	•	•	✓	•	•	•
Manual control	✓	✓	✓	✓	✓	✓
Remote control	•	•	~	•	•	•
Leg lengths	(Standard 6")	(Standard 7 1/2")	(Standard 5")	(Standard 5 1/4")	(Standard 6")	~

✓ = standard  
• = option  
~ = not available

## Optional Extras

As an optional extra it is possible to have any of the stoves with brass door knobs, either single, double or as a set, depending on model.



Gothic Arch Door option



Flat Top with Gothic Cross Doors and coal fuel bed

All of the stoves are only available in a midnight black finish.

